



**HAL**  
open science

## Diversification of Wolbachia Endosymbiont in the *Culex pipiens* Mosquito

Célestine Atyame Nten, Frédéric Delsuc, Nicole Pasteur, Mylène Weill, Olivier Duron

► **To cite this version:**

Célestine Atyame Nten, Frédéric Delsuc, Nicole Pasteur, Mylène Weill, Olivier Duron. Diversification of Wolbachia Endosymbiont in the *Culex pipiens* Mosquito. *Molecular Biology and Evolution*, 2011, 28 (10), pp.2761-2772. 10.1093/molbev/msr083 . hal-01924446

**HAL Id: hal-01924446**

**<https://sde.hal.science/hal-01924446>**

Submitted on 16 Nov 2018

**HAL** is a multi-disciplinary open access archive for the deposit and dissemination of scientific research documents, whether they are published or not. The documents may come from teaching and research institutions in France or abroad, or from public or private research centers.

L'archive ouverte pluridisciplinaire **HAL**, est destinée au dépôt et à la diffusion de documents scientifiques de niveau recherche, publiés ou non, émanant des établissements d'enseignement et de recherche français ou étrangers, des laboratoires publics ou privés.

1 **Diversification of *Wolbachia* endosymbiont in the *Culex pipiens***  
2 **mosquito**

3

4 Célestine M. Atyame\*, Frédéric Delsuc\*, Nicole Pasteur\*, Mylène Weill\* and Olivier Duron\*

5

6 \* Institut des Sciences de l'Evolution

7 Université Montpellier 2, CC 054

8 CNRS, UMR5554

9 Place Eugène Bataillon

10 34095 Montpellier cedex 05

11 France

12

13 Corresponding author: Olivier Duron; E-mail: [olivier.duron@univ-montp2.fr](mailto:olivier.duron@univ-montp2.fr)

14

15 Type of article: Research Article

16

17 Keys words: Endosymbiosis, *Wolbachia*, mitochondrial hitchhiking

18

19 Running title: Diversification of *Wolbachia* endosymbiont

20

## 21 **Abstract**

22 The  $\alpha$ -proteobacteria *Wolbachia* are among the most common intracellular bacteria and have  
23 recently emerged as important drivers of arthropod biology. *Wolbachia* commonly act as  
24 reproductive parasites in arthropods by inducing cytoplasmic incompatibility (CI), a type of  
25 conditional sterility between hosts harboring incompatible infections. In this study, we  
26 examined the evolutionary histories of *Wolbachia* infections, known as *wPip*, in the common  
27 house mosquito *Culex pipiens*, which exhibits the greatest variation in CI crossing patterns  
28 observed in any insect. We first investigated a panel of twenty *wPip* strains for their genetic  
29 diversity through a multi-locus scheme combining thirteen *Wolbachia* genes. Because  
30 *Wolbachia* depend primarily on maternal transmission for spreading within arthropod  
31 populations, we also studied the variability in the co-inherited *Cx. pipiens* mitochondria. In  
32 total, we identified fourteen *wPip* haplotypes, which all share a monophyletic origin and  
33 clearly cluster into five distinct *wPip* groups. The diversity of *Cx. pipiens* mitochondria was  
34 extremely reduced, which is likely a consequence of cytoplasmic hitchhiking driven by a  
35 unique and recent *Wolbachia* invasion. Phylogenetic evidence indicates that *wPip* infections  
36 and mitochondrial DNA have co-diverged through stable co-transmission within the  
37 cytoplasm and shows that a rapid diversification of *wPip* has occurred. The observed pattern  
38 demonstrates that a considerable degree of *Wolbachia* diversity can evolve within a single  
39 host species over short evolutionary periods. In addition, multiple signatures of recombination  
40 were found in most *wPip* genomic regions, leading us to conclude that the mosaic nature of  
41 *wPip* genomes may play a key role in their evolution.

## 42 **Introduction**

43 Arthropods are commonly infected by maternally transmitted endosymbionts. Although some  
44 endosymbionts confer direct benefits to their hosts by providing anabolic functions or  
45 resistance to pathogens (Haine 2008; Moran, McCutcheon, and Nakabachi 2008), others are  
46 associated with alterations of host reproduction (Werren, Baldo, and Clark 2008; Engelstadter  
47 and Hurst 2009). These symbionts represent reproductive parasites that include diverse  
48 unrelated bacteria, among which the alpha-proteobacteria *Wolbachia* are the most widespread  
49 (Duron et al. 2008; Hilgenboecker et al. 2008). In some host species, the successful spread of  
50 *Wolbachia* is achieved by biasing the host's sex ratio toward the production of females (the  
51 transmitting sex) through the induction of parthenogenesis, feminization or male-killing.  
52 More commonly, *Wolbachia* are able to induce a form of conditional sterility, termed  
53 cytoplasmic incompatibility (CI), between infected males and uninfected females or females  
54 infected by incompatible strains (Werren, Baldo, and Clark 2008; Engelstadter and Hurst  
55 2009). Such manipulations enable *Wolbachia* to spread through arthropod populations and  
56 may drive arthropod evolution through their effects on host phenotypes (Moran, McCutcheon,  
57 and Nakabachi 2008; Werren, Baldo, and Clark 2008; Engelstadter and Hurst 2009).

58

59 The dynamics of *Wolbachia* infections within the common house mosquito, *Culex pipiens*  
60 complex, remain poorly understood. The most common members of the complex are the  
61 subspecies *Cx. p. quinquefasciatus* (Say) and *Cx. p. pipiens* (L.), representing the southern  
62 and northern mosquito populations, which are ubiquitous in tropical and temperate regions,  
63 respectively (Barr 1982). Members of the *Cx. pipiens* complex exhibit the greatest variation  
64 of CI crossing types observed in arthropods thus far (Laven 1967; O'Neill and Paterson 1992;  
65 Guillemaud, Pasteur, and Rousset 1997; Duron et al. 2006; Atyame et al. in press). However,  
66 an early genotyping approach using the *ftsZ* gene failed to reveal any polymorphism between

67 incompatible *Wolbachia* strains (Guillemaud, Pasteur, and Rousset 1997). Further analyses  
68 used sequences of published complete *Wolbachia* genomes to characterize polymorphic  
69 molecular markers. Genomes of *Wolbachia* strains infecting arthropod are scattered with  
70 mobile genetic elements (MGE), such as prophages and transposable elements, which can  
71 represent more than 20% of genome content (Wu et al. 2004; Klasson et al. 2008; Salzberg et  
72 al. 2009; Klasson et al. 2009). Additionally, they contain an unusual high number of genes  
73 encoding proteins with ankyrin (ANK) motif(s), which possibly mediate specific protein-  
74 protein interactions (Sinkins et al. 2005; Duron et al. 2007; Walker et al. 2007). We further  
75 developed genotyping approaches using ANK and MGE markers and used them to identify  
76 more than 100 genetically distinct *Wolbachia* strains (referred to as *wPip* strains) in natural  
77 populations of *Cx. pipiens* (Duron et al. 2005; Duron et al. 2006; Duron et al. 2007; Atyame  
78 et al. in press; Duron, Raymond, and Weill in press).

79

80 In this study, we characterized the evolutionary history of *Wolbachia* infections in the *Cx.*  
81 *pipiens* complex by examining the association between the *wPip* strains and *Cx. pipiens*  
82 mitochondrial DNA variation. The predominant mode of *Wolbachia* transmission within a  
83 species is vertical, *via* the egg cytoplasm (Werren, Baldo, and Clark 2008; Engelstadter and  
84 Hurst 2009). Because *Wolbachia* and mitochondrial genomes are co-transmitted and,  
85 therefore, in linkage disequilibrium, the spread of *Wolbachia* will strongly affects a host's  
86 mtDNA diversity through indirect selection (review in Hurst and Jiggins 2005). However,  
87 exceptions to strict vertical transmission have been found; in some cases, *Wolbachia* are also  
88 transferred through horizontal transmission both within and among different host species,  
89 although the mechanisms of transfer are not well understood (Ahrens and Shoemaker 2005;  
90 Baldo et al. 2008; Raychoudhury et al. 2009). Consequently, the wide distribution of  
91 *Wolbachia* among arthropods is generally assumed to result from complex interactions

92 between vertical and horizontal modes of transmission, modulated by their capacity to alter  
93 host reproduction.  
94  
95 Here, we analyzed *wPip* variability and the associated mtDNA diversity in twenty *Cx. pipiens*  
96 lines encompassing uni- and bidirectionally incompatible strains that originated from different  
97 geographic areas. Our results showed that the *wPip* strains form a monophyletic clade of  
98 closely related bacteria and that *Cx. pipiens* harbors a low level of mitochondrial variability,  
99 which is a probable consequence of a recent *Wolbachia* invasion through cytoplasmic  
100 hitchhiking. Investigation of *wPip* sequences revealed extensive recombination between *wPip*  
101 strains, although multiple infections within a single mosquito were never detected using our  
102 markers. However, a congruence between *wPip* and mtDNA phylogenies was shown,  
103 demonstrating that *Wolbachia* mainly use maternal inheritance to spread through *Cx. pipiens*  
104 populations. The evolutionary implications of horizontal transfers and the question of whether  
105 the *Cx. pipiens* - *Wolbachia* association is a unique case or a representative example is  
106 discussed.

107

108

## 109 **Materials and Methods**

### 110 **Mosquito collection**

111 Twenty *Cx. pipiens* lines from a broad geographical range were examined (Table 1). This  
112 collection encompassed the two main *Cx. pipiens* subspecies, *Cx. p. pipiens* and *Cx. p.*  
113 *quinquefasciatus*, which are naturally infected with compatible and incompatible *wPip* strains  
114 (for more details, see Duron et al. 2006; Duron et al. 2007). The study also included the two  
115 lines for which the *wPip* genome has been sequenced, *wPip*(Pel) (GenBank AM999887;  
116 Klasson et al. 2008) and *wPip*(JHB) (ABZA01000000; Salzberg et al. 2009).

117

## 118 *Wolbachia* markers

119 The *w*Pip strains were first genotyped for the five housekeeping genes developed for the  
120 *Wolbachia* MultiLocus Strain Typing (MLST) methodology, *gatB*, *coxA*, *hcpA*, *ftsZ* and *fbpA*  
121 (Baldo et al. 2006), and the *Wolbachia* surface protein gene *wsp* (Braig et al. 1998). The  
122 MLST system is classically used to characterize the eight supergroups (A to I) currently  
123 recognized within the *Wolbachia* genus (Lo et al. 2007; Ros et al. 2009). The polymorphism  
124 of seven additional genes was also examined: the DNA mismatch repair protein gene *MutL*  
125 (one copy in the *w*Pip(Pel) genome), three ANK genes, *ank2* (one copy), *pk1* (three identical  
126 copies), and *pk2* (two identical copies), and three phage genes, the methylase gene *GP12* (four  
127 identical copies), the putative secreted protein gene *GP15* (also known as *VrlC*; one copy) and  
128 the regulatory protein gene *RepA* (one copy). None of these genes was amplified from  
129 *Wolbachia*-free *Cx. pipiens* lines, which confirmed their *Wolbachia* origin. A total of 13  
130 *Wolbachia* genes, encompassing 19 distinct loci with a wide distribution along the *w*Pip(Pel)  
131 chromosome, were examined (Figure 1, Table S1).

132

## 133 *Culex pipiens* mitochondrial markers

134 The complete mitochondrial genome of the Pel line (15,587 bp) was obtained through BLAST  
135 searches of the database of *w*Pip(Pel) contig DNA sequences from the Wellcome Trust-  
136 Sanger Institute website ([http://www.sanger.ac.uk/Projects/W\\_pipientis/](http://www.sanger.ac.uk/Projects/W_pipientis/)) using the  
137 mitochondrial genome of *Aedes albopictus* (GenBank AY072044) as a probe. A similar  
138 approach to obtain the mitochondrial sequences of the JHB line from the VectorBase website  
139 (<http://www.vectorbase.org/>) showed several divergent mitochondrial sequences, some of  
140 which exhibited low read coverage, making the JHB sequences unreliable for further analysis.

141

142 A set of primers (Table S2) was designed from the Pel sequences and further used to obtain  
143 the complete mitochondrial genomes (with the exception of the A+T-rich region) of  
144 additional *Cx. pipiens* lines. Specific primers were also used to amplify a 613 bp fragment  
145 from the NADH dehydrogenase subunit 2 (*ND2*) gene, a 1,132 bp fragment from the NADH  
146 dehydrogenase subunit 5 (*ND5*) gene and an 852 bp fragment from the cytochrome b (*cytb*)  
147 gene from all the investigated *Cx. pipiens* lines (Table S2).

148

#### 149 PCR amplification and sequencing

150 DNA was extracted from individual mosquitoes using a CetylTrimethylAmmonium Bromide  
151 (CTAB) protocol (Rogers and Bendich 1988). Amplification conditions were 3 min at 94°C,  
152 followed by 30 cycles of 94°C for 30 s, 52°C for 30 s (58°C for *MutL*), and 72°C for 1 to 1.5  
153 min depending on the fragment size. Amplified fragments were run in agarose gel (1.5%)  
154 electrophoresis. The QIAquick gel extraction kit (QIAGEN, Valencia, CA) was then used to  
155 purify the PCR products. Sequences were obtained directly for purified products using an ABI  
156 Prism 3130 sequencer with the BigDye Terminator Kit (Applied Biosystems). The sequences  
157 have been deposited in the GenBank database (accession numbers in Tables S1 and S2).

158

#### 159 Sequence analyses

160 Sequence alignments were carried out using CLUSTALW (Thompson, Gibson, and Higgins  
161 2002) and corrected using MEGA (Tamura et al. 2007). The GBLOCKS program (Castresana  
162 2000) with default parameters was used to remove poorly aligned positions and to obtain  
163 nonambiguous sequence alignments. The number of variable sites (VI), nucleotide diversity  
164 ( $\pi$ ), G+C content and the ratios of nonsynonymous *versus* synonymous substitutions ( $Ka/Ks$ )  
165 were computed using DNASP (Librado and Rozas 2009). Nonrandom associations between  
166 each pair of loci were estimated through the measure of allele linkage disequilibrium (LD)



167 using the  $D'$  statistic (Lewontin 1964; Hedrick 1987). The exact test procedure implemented  
168 in GENEPOP (Raymond and Rousset 1995) was further used to test LD significance.  
169 Statistical analyses for intragenic recombination were performed with the Sawyer's test  
170 implemented in GENECONV (Sawyer 1999). A Bonferonni adjustment correction for  
171 multiple testing was applied (Hochberg 1988).

172

173 Annotation of the *Cx. pipiens* mitochondrial genome was based on alignments with  
174 mitochondrial sequences from *Ae. albopictus* (AY072044), *Ae. aegypti* (EU352212),  
175 *Anopheles gambiae* (L20934), *An. funestus* (DQ146364) and *An. quadrimaculatus* (L04272).

176

#### 177 Tree reconstruction

178 Phylogenetic relationships were evaluated for *Wolbachia* and *Cx. pipiens* mitochondrial  
179 sequences. The best-fitting models of sequence evolution for each dataset were determined  
180 using the Akaike information criterion with MODELTEST v3.7 (Posada and Crandall 1998).

181 The selected model was the General Time Reversible model, with Gamma distributed among-  
182 site rate variation (GTR+G) for both *Wolbachia* and mitochondrial sequence datasets.

183 Bayesian inferences (BI) were used to reconstruct phylogenies using Mr. Bayes v 3.1.2  
184 (Ronquist and Huelsenbeck 2003). Two independent replicates of four Metropolis-coupled  
185 Monte Carlo Markov chains were run for 2,000,000 generations with Model parameters and  
186 trees sampled every 200 generations. Bayesian posterior probabilities were obtained from the  
187 50% majority-rule consensus of the sampled trees after discarding the initial burn-in period.

188 The resulting phylogenetic trees were visualized and edited in MEGA (Tamura et al. 2007).

189

190 *Wolbachia* genes were also analyzed within a phylogenetic network framework to account for  
191 potentially conflicting signals due to recombination (Fitch 1997). A phylogenetic network

192 was constructed based on uncorrected *P*-distances using the Neighbor-net method (Bryant and  
193 Moulton 2004) implemented in SPLITSTREE (Huson and Bryant 2006). Neighbor-net is a  
194 distance-based method to construct a network as a generalization of all possible phylogenetic  
195 trees that can be reconstructed from conflicting signals in the data.

196

### 197 Assessing the maximum age of mitochondrial sweep

198 We used the mitochondria data to infer the maximum age of the *Wolbachia* infection in *Cx.*  
199 *pipiens* following the method of Rich et al. (1998). This method assumes that selection only  
200 occurs at the protein level and that DNA polymorphism in degenerate sites is neutral. We  
201 used fourfold and twofold synonymous sites from protein coding mtDNA sequences to assess  
202 the age of the sweep. The number of twofold and fourfold synonymous sites in each coding  
203 region was computed with MEGA (Tamura et al. 2007), and a conservative Jukes-Cantor  
204 correction was applied for multiple hits.

205

206

## 207 **Results**

### 208 Monophyletic origin of the *wPip* strains

209 The MLST and *wsp* genes did not exhibit sequence variation between the *wPip* strains (eight  
210 strains were examined here, i.e. *wPip*(Sl), *wPip*(Tn), *wPip*(Ko), *wPip*(Lv), *wPip*(Is),  
211 *wPip*(Mc), *wPip*(Pel) and *wPip*(JHB)), establishing that these strains are very closely related.

212 The *wPip* MLST sequence data were compared to sequences from 18 other strains belonging  
213 to five distinct *Wolbachia* supergroups (A, B, D, F and H). The phylogenetic tree obtained  
214 from the 2,079-bp concatenated MLST genes revealed that the *wPip* strains form a robust  
215 monophyletic clade within the B supergroup, which is closely related to the *wBoll* strain  
216 present in the butterfly *Hypolimnas bolina* (identity > 99.9%; Figure S1).

217

## 218 High variability of *wPip* genomes

219 Seven of the examined *Wolbachia* genes were polymorphic among the *wPip* genomes: the  
220 DNA mismatch protein gene *MutL*, three ANK genes *ank2*, *pk1* and *pk2*, and three phage  
221 genes *GP12*, *GP15* and *RepA*. Analyses revealed considerable allelic variability among the 20  
222 *wPip* strains, with 2-8 alleles being found per gene (Table S3). This polymorphism was  
223 mainly due to nucleotide substitutions, insertions or deletions (indels); note that an insertion  
224 of the *Tr1* transposon (also known as ISWpi1; see Duron et al. 2005; Cordaux 2008) was  
225 observed within the *RepA* sequence of three *wPip* strains. An additional source of variability  
226 arose from a *GP15* deletion in the *wPip*(JHB) genome. A letter was attributed to each distinct  
227 allele of the seven genes, the combination of which identified 14 *wPip* haplotypes among the  
228 twenty strains (Table 2).

229

230 Although the prophage related genes *pk1*, *pk2* and *GP12* were found to be present in several  
231 copies in the *wPip*(Pel) genome, divergent copies were never amplified from our *wPip* strains:  
232 direct sequences of PCR products were easily readable and showed no overlapping peaks.  
233 This indicates that the different copies (if any) present in each *wPip* strain examined here are  
234 identical, as observed in *wPip*(Pel). It further shows that only mono-*wPip*-infections (or multi-  
235 infections by closely related *wPip* strains) are present within *Cx. pipiens* individuals.

236

## 237 High recombination in *wPip* genomes

238 Recombination, both within and between *Wolbachia* genes, can blur molecular signals and  
239 result in misleading observations related to strain relationships. For this reason, we checked  
240 the possibility of recombination among the seven polymorphic markers obtained here (*MutL*,  
241 *ank2*, *pk1*, *pk2*, *GP12*, *GP15* and *RepA*). Pairwise tests for intergenic recombination revealed

242 significant linkage disequilibrium (LD) for *MutL*, *ank2*, *pk1*, *GPI2*, and *GPI5* (Table S4).  
243 Alleles at these five loci are not randomly associated and are stably co-transmitted within the  
244 *wPip* chromosome. However, nonsignificant LD was found between *pk2* and *RepA* and  
245 between these two genes and the other five genes, showing that recombination has disrupted  
246 genome clonality by shuffling the *RepA* and *pk2* alleles among *wPip* strains. Intragenic  
247 recombination was also detected for at least five genes by Sawyer's test (*MutL*, *pk1*, *pk2*,  
248 *GPI2* and *GPI5*; Table S3). Intragenic recombination results in identical nucleotides or  
249 amino acid motifs in *wPip* strains divergent at other loci, which are readily apparent through  
250 the examination of sequence alignments (Figure S2).

251

## 252 Gene rearrangements in *wPip* genomes

253 Genome organization of *wPip* strains was analyzed by comparing the locations of the thirteen  
254 genes surveyed in this study in the *wPip*(Pel) chromosome and in the five major *wPip*(JHB)  
255 contigs presently available (Figure S3). There are several rearrangements distinguishing these  
256 genomes, in which diverse genes have been inverted (e.g. *gatB*, *coxA*), translocated (*MutL*,  
257 *RepA*), duplicated or deleted (three and one *pk1* copies are found in *wPip*(Pel) and *wPip*(JHB),  
258 respectively). Notably, rearrangements are not limited to phage regions, which are prone to  
259 movements within and between genomes, but also affect housekeeping genes.

260

## 261 Inference of *wPip* strain relationships

262 Phylogenetic analyses of the 20 *wPip* strains using the six *wPip* genes, *MutL*, *ank2*, *pk1*, *pk2*,  
263 *GPI2* and *GPI5*, revealed significant topological incongruence, as expected for a dataset  
264 affected by recombination (Figure S4). For instance, the *wPip*(S1), *wPip*(Bf-B) and *wPip*(Mc)  
265 strains are genetically similar for four markers (*ank2*, *pk1*, *GPI2* and *GPI5*), but appear  
266 distantly related for two others markers (*MutL* and *pk2*).

267

268 To assess *wPip* strain relationships, we performed phylogenetic analyses based on the  
269 concatenated sequences of the seven genes. The concatenated tree deduced from Bayesian  
270 inference splits the *wPip* clade into five groups (designated *wPip*-I to *wPip*-V; Figure 2).  
271 However, recombination can create artificial grouping of *wPip* strains, and network analysis  
272 was thus conducted to visualize recombination effects, which were illustrated by multiple  
273 boxes (Figure 3). The evolutionary history of *wPip* strains appears as a complex network with  
274 multiple pathways interconnecting strains, emphasizing the mosaic nature of *wPip* genomes.  
275 Interestingly, despite recombination, the network analysis was congruent with the Bayesian  
276 tree in recovering the same five *wPip* groups with strong bootstrap values.

277

278 A spatial structuring of *wPip* diversity emerged when the geographic distribution of *wPip*  
279 groups was examined, despite the limited number (19) of strains. The most common group,  
280 *wPip*-I, is distributed widely from Asia to Europe (Figure 4), and all *wPip* strains recently  
281 identified at La Réunion island (Indian Ocean) by Atyame et al. (in press) belong to that  
282 group. The *wPip*-V group is only found in East Asia, and the *wPip*-II and *wPip*-III groups  
283 have an apparently discontinuous distribution, with strains being found in very distant  
284 geographic areas (for example, the *wPip*-II strains are from Australia and Europe).

285

#### 286 Low mitochondrial diversity in *Cx. pipiens*

287 *Cx. pipiens* Pel mitochondrial DNA exhibits classical features found in other mosquito  
288 species that have been analyzed. It contains tightly packed genes with high A+T content  
289 (78.2%). There are twenty-two genes coding tRNAs, two coding ribosomal RNAs, thirteen  
290 genes coding subunits of enzymes involved in oxidative phosphorylation and, finally, an A+T  
291 rich noncoding region (Figure S5 and Table S5). The genes are arranged along the

292 chromosome in a manner similar to that of other mosquito species (Beard, Mills Hamm, and  
293 Collins 1993; Mitchell, Cockburn, and Seawright 1993; Krzywinski, Grushko, and Besansky  
294 1997).

295

296 The complete *Cx. pipiens* mitochondrial genome (14,856 bp without the A+T rich region) was  
297 sequenced from the lines Ko, Tn, Sl and Is and compared to the Pel genome. Overall, the five  
298 mtDNA sequences displayed a very low variability, with only 36 variable nucleotidic  
299 positions being found (ca. 2%), and two sequences were strictly identical (lines Ko and Tn).  
300 Among the 13 protein-coding genes, five genes (*atp8*, *atp6*, *ND3*, *ND4L* and *ND6*) showed no  
301 polymorphism, whereas *ND2*, *ND5* and *cytb* were the most polymorphic (Figure S5).

302

303 A likely explanation of the low mtDNA diversity in *Cx. pipiens* populations is that  
304 cytoplasmic hitchhiking has occurred during *Wolbachia* invasion, as suggested earlier by  
305 Guillemaud et al. (Guillemaud, Pasteur, and Rousset 1997) and Rasgon et al. (Rasgon,  
306 Cornel, and Scott 2006). To confirm this hypothesis, we compared the nucleotide diversity  
307 per site ( $\pi$ ) at four mitochondrial loci in the eleven Culicidae species for which the presence  
308 or absence of *Wolbachia* has been documented (Table 3 and supplementary materials). Only  
309 two species, *Cx. pipiens* and *Ae. albopictus*, are known to be infected, whereas *Wolbachia*  
310 infection was never found in the nine other species. These two *Wolbachia*-infected species  
311 harbor significantly lower mtDNA diversity than the uninfected species (Wilcoxon test,  
312  $W=10$ ,  $P = 0.008$ ). For instance, the worldwide mtDNA diversity of *Cx. pipiens* is lower than  
313 the diversity observed in the North American populations of *Cx. tarsalis*, an uninfected  
314 species (Venkatesan et al. 2007). The low diversity of mtDNA observed in the *Cx. pipiens*  
315 and *Ae. albopictus* populations led us to conclude that *Wolbachia* is most likely the causative  
316 agent of mitochondrial sweeps in these taxa.

317

### 318 Recent mitochondrial sweep in *Cx. pipiens* complex

319 We then assessed the date of the mitochondrial sweep using the nucleotide divergence of 13  
320 protein-coding mtDNA genes from the *Cx. pipiens* Is line and *Ae. albopictus* (GenBank  
321 AY072044). We estimated the substitution rate for these genes at twofold and fourfold  
322 degenerate sites with a conservative Jukes–Cantor correction. The genera *Culex* and *Aedes*  
323 diverged approximately 172 to 226 My ago (Reidenbach et al. 2009). Using the most recent  
324 estimate (172 My), the mtDNA substitution rates (substitution/site/year) were estimated at  
325  $5.1 \times 10^{-8}$  and  $19 \times 10^{-8}$  for the twofold and fourfold degenerate sites, respectively, whereas,  
326 when using the oldest estimate (226 My), the substitution rates were  $39 \times 10^{-9}$  and  $15 \times 10^{-8}$ .  
327 Among the mitochondrial genomes of five *Cx. pipiens* lines (Is, Sl, Tn, Ko and Pel), we  
328 observed 13 and 10 nucleotide differences among the twofold (n=2,938) and fourfold  
329 (n=1,343) synonymous sites, respectively. Thus, this dates the *Cx. pipiens* mitochondrial  
330 sweep between 12,000 and 16,000 years before present (95% confidence interval, if *Culex*  
331 and *Aedes* diverged 172 My ago) or between 16,000 and 21,000 (95% confidence interval, if  
332 the two genera diverged 226 My ago). It is possible that the date of the mitochondrial sweep  
333 is even more recent as it was assumed here that the substitution rates are constant, an  
334 assumption known to overestimate divergence times (Ho et al. 2005).

335

336

### 337 Clear co-divergence of *wPip* and *Cx. pipiens* mitochondria

338 The co-divergence of mitochondria and *wPip* was assessed by studying the sequences of the  
339 three polymorphic *Cx. pipiens* mtDNA genes (*ND2*, *ND5* and *cytb*), encompassing 2,549 bp  
340 (16.4% of the whole mitochondrial genome).

341

342 Analysis of the *Cx. pipiens* mtDNA sequences among the 19 lines indicated the presence of  
343 14 haplotypes (named *pi1* to *pi14*), which differed overall at 22 variable nucleotide sites  
344 (Table S6). The mtDNA of the *Cx. pipiens* lines differed by only one to nine nucleotides,  
345 confirming their very high homology (99.6-99.9%). Phylogenetic analyses revealed two main  
346 mitochondrial lineages (*pi1* to *pi5* and *pi6* to *pi14*) with strong branching support (Figure 5A).  
347  
348 The concatenated mtDNA phylogeny and the *wPip* phylogeny were congruent (Figure 5A and  
349 B). A significant association was found between mtDNA haplotypes and *wPip* haplotypes  
350 (Fisher's exact test,  $P = 3 \times 10^{-5}$ ), as well as *wPip* groups ( $P = 8 \times 10^{-4}$ ). This demonstrates that  
351 *wPip* infections and mitochondrial DNA have co-diverged through stable co-transmission  
352 within the cytoplasm in *Cx. pipiens* populations. Hence, the two main mitochondrial lineages  
353 parallel the *wPip* divergence pattern and strongly confirm the *wPip* phylogeny. Additionally,  
354 *Cx. pipiens* subspecies are not significantly associated with *wPip* haplotypes ( $P = 0.37$ ), *wPip*  
355 groups ( $P = 0.26$ ) or mtDNA haplotypes ( $P = 0.10$ ). Thus, *Cx. pipiens* nuclear genomes have  
356 not co-diverged with mitochondria and *wPip* infections and exhibit a different evolutionary  
357 history.

358

359

## 360 **Discussion**

361 Here, we examined 20 isolates of *Wolbachia* and their associated mitochondria within the *Cx.*  
362 *pipiens* complex. The combined use of *Wolbachia* and host mtDNA multi-locus sequencing  
363 revealed the processes driving the evolution of *Wolbachia* infections in this mosquito and  
364 raised the question of their likeliness to occur in other *Wolbachia*-arthropod associations.

365

366 *Wolbachia* and mitochondrial markers reveal a recent diversification of *wPip* strains



367 The examined MLST and *wsp* markers showed that *wPip* infections form a robust  
368 monophyletic clade within the B group of *Wolbachia*, confirming the results of Baldo et al.  
369 (Baldo et al. 2006). Although these markers are widely used to characterize the genetic  
370 diversity of *Wolbachia*, even within a host species (e.g. Dedeine et al. 2004; Baldo et al.  
371 2006; Baldo et al. 2008; Raychoudhury et al. 2009), they displayed no variation among the  
372 *wPip* infections in *Cx. pipiens*, which shows that *wPip* strains have a unique and recent  
373 evolutionary origin. As observed in other *Wolbachia* infected species (Hurst and Jiggins  
374 2005), mitochondrial diversity was low in populations of *Cx. pipiens* (and highly significantly  
375 lower than in non-*Wolbachia*-infected mosquitoes), suggesting that *Wolbachia* have affected  
376 mitochondrial polymorphism in this species through cytoplasmic hitchhiking. The observed  
377 polymorphism of mitochondrial protein coding genes indicates that the mitochondrial sweep  
378 due to the spread of *Wolbachia* occurred within the last 21,000 years. This dating is within the  
379 range of values classically estimated for other *Wolbachia* host species of ca. < 100,000 years,  
380 (Jiggins 2003; Keller et al. 2004; Duploux et al. 2010), and the evolutionary pathway of *wPip*  
381 in *Cx. pipiens* could be similar to other *Wolbachia*/arthropod associations.

382

383 Multi-locus typing using seven *wPip* polymorphic markers, including domains of the MGE  
384 and ANK genes, allowed the identification of 14 distinct *wPip* haplotypes, which cluster into  
385 five distinct *wPip* groups. This typing approach also established that the two published *wPip*  
386 genomes, *wPip*(Pel) and *wPip*(JHB), are genetically very close to each other compared to  
387 strains belonging to other *wPip* groups, in spite of their genomic differences (Salzberg et al.  
388 2009). The variability of the investigated mitochondrial markers corroborates the inferences  
389 made from the *wPip* markers; thus, in *Cx. pipiens*, different mitochondrial haplotypes may  
390 indicate that *wPip* infections are different. Overall, the observed genetic diversity indicates

391 that, after the spread of *Wolbachia*, diversification of *wPip* and *Cx. pipiens* mitochondria  
392 occurred.

393

394 The diversity found for *wPip* exhibits geographic variations. A remarkable degree of diversity  
395 was found in the Mediterranean area, where four of the five *wPip* groups are found, whereas a  
396 reduced diversity was observed in other regions. The most common group, *wPip-I*, has a wide  
397 distribution (Asia, Africa and Europe) and was also recently reported at La Réunion Island  
398 (Indian Ocean) (Atyame et al. in press). In contrast, some *wPip* groups have a discontinuous  
399 distribution, as exemplified by the *wPip-II* strains, which were found in Europe and in  
400 Australia. Such a geographic pattern is likely to be a consequence of a recent worldwide  
401 expansion due to human activity (Raymond et al. 1991; Fonseca et al. 2004; Fonseca et al.  
402 2006) or/and to selective advantages, possibly including CI selection. However, the 20 *wPip*  
403 infections investigated in this study represent a restricted sampling, occasionally from old  
404 mosquito colonies, and further investigations are required to improve our knowledge of the  
405 spatial structure of the *wPip* groups worldwide.

406

407 *wPip* strains are independent of *Cx. pipiens* subspecies

408 Strict vertical transmission must have favored the co-divergence of *wPip* and mtDNA within  
409 shared cytoplasm. However, there was no clear association between *Cx. pipiens* subspecies  
410 (nuclear diversity) and cytoplasmic diversity (i.e. *Wolbachia* and mtDNA): identical *wPip*  
411 strains and identical mitochondrial haplotypes were found in the two subspecies, *Cx. p.*  
412 *pipiens* and *Cx. p. quinquefasciatus*. A likely explanation for this is that the transfer of  
413 cytoplasm between *Cx. pipiens* subspecies occurred through hybridization events, as observed  
414 in *Drosophila* species (Rousset and Solignac 1995; Ballard 2000) and in butterfly species  
415 (Jiggins 2003; Narita et al. 2006; Charlat et al. 2009). In *Cx. pipiens*, this hypothesis is well

416 supported by the many reports of genetic introgression between the two subspecies in areas  
417 where they come into contact (Cornel et al. 2003; Fonseca et al. 2004). Hence, we can predict  
418 that DNA barcoding programs using mtDNA will fail to discriminate between *Cx. p. pipiens*  
419 and *Cx. p. quinquefasciatus*. Overall, these observations support the call of Hurst and Jiggins  
420 (Hurst and Jiggins 2005) to not use mtDNA alone as a reliable means of taxa resolution.

421

#### 422 Intense recombination impacts the structure of *wPip* genomes

423 The existence of extensive recombination among *wPip* strains sheds light on the mechanisms  
424 shaping the evolution of *wPip* genomes since recombination can influence the adaptive  
425 dynamics of *Wolbachia* by creating new alleles and thus allow the emergence of new  
426 phenotypes. Recombination between distant *Wolbachia* genomes has been previously  
427 documented (Jiggins et al. 2001; Bordenstein and Wernegreen 2004; Baldo, Lo, and Werren  
428 2005; Gavotte et al. 2007), although in this study, we found recombination among very  
429 closely related *Wolbachia* genomes. Evidence of recombination was found at almost all of the  
430 examined *wPip* loci, WO-phage genes, as well as nonrelated phage loci. This shows that a  
431 high level of gene flow occurs among the *Wolbachia* genomes in *Cx. pipiens*. Hence, the *wPip*  
432 strains do not form a set of clones in which evolution is independent but, rather, represent a  
433 large population of bacteria exchanging genetic information through lateral transfers.

434 Although no instances of multiple infection were detected using our markers, we must assume  
435 that they occur, at least during a period long enough to allow recombination between strains.

436

437 Another consequence of recombination is that it can lead to misinterpretation of phylogenetic  
438 relationships between strains. However, despite the extensive recombination observed, the  
439 *wPip* and mitochondrial phylogenies are congruent: recombinations have not disrupted our  
440 grasp of the evolutionary history of *wPip* strains, probably because the contribution of  
441 recombinant regions in the phylogeny is weak compared to the diversity existing in

442 nonrecombinant DNA fragments. Therefore, as suggested by Baldo et al. (Baldo et al. 2006),  
443 the use of a multi-locus approach, rather than single locus analysis, is required for a correct  
444 understanding of the evolutionary history of *Wolbachia* infections.

445

446 The *Cx. pipiens*-*Wolbachia* association, a unique case?

447 The high number of *wPip* strains, which is still certainly underestimated, makes the *Cx.*  
448 *pipiens* system remarkable because lower diversity is usually reported in *Wolbachia* of other  
449 host species (e.g. Vavre et al. 1999; Mercot and Charlat 2004; Charlat et al. 2006; Arthofer et  
450 al. 2009). However, it is possible that genetic variations of *Wolbachia* in other host species  
451 could have been missed due to the methodology generally used to characterize these bacteria,  
452 as it is generally assumed that a single *Wolbachia* strain is present within a host species when  
453 the MLST or *wsp* markers are not variable. In *D. melanogaster*, a single strain, *wMel*, was  
454 presumed to be present until Riegler et al. (Riegler et al. 2005) identified five distinct  
455 genotypes by examining transposon insertion sites and chromosomal inversions. More recent  
456 studies have reported different *Wolbachia* haplotypes solely on the basis of WO phage genes  
457 in various host species, including crickets, beetles and butterflies (Charlat et al. 2009; Chafee  
458 et al. 2010). Hence, the classical MLST system is well suited to characterize *Wolbachia*  
459 belonging to distinct clades, but specific species typing systems based on markers with rapid  
460 sequence evolution need to be developed to investigate the *Wolbachia* diversity that probably  
461 exists in most associations.

462

463 Finally, the question remains of whether the *Cx. pipiens* - *Wolbachia* association is unique in  
464 term of its extremely large CI diversity (e.g. Laven 1967; O'Neill and Paterson 1992;  
465 Guillemaud, Pasteur, and Rousset 1997; Duron et al. 2006). We have clearly demonstrated  
466 that the diversity of crossing types in this species is independent of nuclear backgrounds and

467 relies solely on *wPip* variability (Duron et al. 2006; Atyame et al. in press). The reason that a  
468 similar CI system has not been reported in other *Wolbachia*-infected species remains a matter  
469 for speculation, but it is possible that the crossing studies conducted in *Cx. pipiens* have been  
470 more exhaustive than in any other species because of the intensive investigations that have  
471 been carried out for clarifying its systematics and studying the inheritance of morphological  
472 characters since the 1930s (e.g. Marshall and Staley 1937; Roubaud 1941; Laven 1958;  
473 Rozeboom 1958; Laven 1967; Barr 1975; Narang and Seawright 1982; Irving-Bell 1983). As  
474 a result, the high variability of CI crossing types was investigated much earlier than the  
475 causative agent was identified by Yen and Barr in 1971. Comparatively little work on the  
476 variability of the effects of *Wolbachia* infection has been conducted in most arthropods,  
477 except in *Drosophila* species, such as *D. simulans*, where five distinct crossing types  
478 associated with distinct *Wolbachia* infections have thus far been identified (for review see  
479 Mercot and Charlat 2004). Therefore, the possibility of the existence of variable reproductive  
480 phenotypes in other host species remains to be examined.

481  
482 In conclusion, the use of multi-locus typing combining *Wolbachia* and mitochondrial markers  
483 highlights the processes underlying the evolutionary dynamics of *wPip* infections. The  
484 diversification inside the *wPip* clade shows that a considerable amount of *Wolbachia* diversity  
485 can be generated within a single host species in a short period of time. Further investigations  
486 should examine the roles of recombination and MGE in the adaptive capacities of *Wolbachia*.  
487 In particular, this could explain rapid changes of interactions between *Wolbachia* and their  
488 hosts (Weeks et al. 2007; Echaubard et al. 2010) and play a key role in the evolution of  
489 phenotypes induced by *Wolbachia*. Finally, an important question now is to determine  
490 whether the *Cx. pipiens* - *Wolbachia* association is a unique case or, rather, a representative  
491 example.

492

493

494 **Acknowledgments**

495 We are grateful to Emmanuel Douzery for his advice for analyses, Jennifer Bernard, Arnaud  
496 Berthomieu, Patrick Makoundou and Sandra Unal for technical assistance, and two  
497 anonymous referees for their valuable comments to the manuscript. We acknowledge  
498 financial support from the PIR “Maladies Infectieuses et Environnement” from the CNRS. All  
499 sequence data were obtained on the Environmental Genomic Platform of the IFR Montpellier-  
500 Environnement-Biodiversité. This is contribution 2011.nx of the Institut des Sciences de  
501 l'Evolution de Montpellier (UMR 5554 CNRS – Université Montpellier 2).

502

503

504 **Literature Cited**

505 Ahrens, M. E., and D. Shoemaker. 2005. Evolutionary history of *Wolbachia* infections in the  
506 fire ant *Solenopsis invicta*. *BMC Evol Biol* **5**:35.

507 Arthofer, W., M. Riegler, D. Schneider, M. Krammer, W. J. Miller, and C. Stauffer. 2009.  
508 Hidden *Wolbachia* diversity in field populations of the European cherry fruit fly,  
509 *Rhagoletis cerasi* (Diptera, Tephritidae). *Mol Ecol* **18**:3816-3830.

510 Atyame, C., O. Duron, P. Tortosa, N. Pasteur, P. Fort, and M. Weill. 2011. Multiple  
511 *Wolbachia* determinants control the evolution of cytoplasmic incompatibilities in  
512 *Culex pipiens* mosquito populations. *Mol Ecol*. **20**: 286-298.

513 Baldo, L., N. A. Ayoub, C. Y. Hayashi, J. A. Russell, J. K. Stahlhut, and J. H. Werren. 2008.  
514 Insight into the routes of *Wolbachia* invasion: high levels of horizontal transfer in the

515 spider genus *Agelenopsis* revealed by *Wolbachia* strain and mitochondrial DNA  
516 diversity. *Mol Ecol* **17**:557-569.

517 Baldo, L., J. C. Dunning Hotopp, K. A. Jolley, S. R. Bordenstein, S. A. Biber, R. R.  
518 Choudhury, C. Hayashi, M. C. Maiden, H. Tettelin, and J. H. Werren. 2006.  
519 Multilocus sequence typing system for the endosymbiont *Wolbachia pipientis*. *Appl*  
520 *Environ Microbiol* **72**:7098-7110.

521 Baldo, L., N. Lo, and J. H. Werren. 2005. Mosaic nature of the *Wolbachia* surface protein. *J*  
522 *Bacteriol* **187**:5406-5418.

523 Ballard, J. W. 2000. When one is not enough: introgression of mitochondrial DNA in  
524 *Drosophila*. *Mol Biol Evol* **17**:1126-1130.

525 Barr, A. R. 1975. *Culex*. Pp. 347-375 in R. C. King, ed. *Handbook of Genetics*. Plenum  
526 Publishing Corporation, New York.

527 Barr, A. R. 1982. The *Culex pipiens* complex. Pp. 551-572 in W. W. M. Steiner, W. J.  
528 Tabachnik, K. S. Rai, and S. Narang, eds. *Recent developments in the genetics of*  
529 *insect disease vectors*. Stipes Publishing Company, Champaign.

530 Beard, C. B., D. Mills Hamm, and F. H. Collins. 1993. The mitochondrial genome of the  
531 mosquito *Anopheles gambiae*: DNA sequence, genome organization, and comparisons  
532 with mitochondrial sequences of other insects. *Insect Mol Biol* **2**:103-124.

533 Bordenstein, S. R., and J. J. Wernegreen. 2004. Bacteriophage flux in endosymbionts  
534 (*Wolbachia*): infection frequency, lateral transfer, and recombination rates. *Mol Biol*  
535 *Evol* **21**:1981-1991.

536 Braig, H. R., W. Zhou, S. L. Dobson, and S. L. O'Neill. 1998. Cloning and characterization of  
537 a gene encoding the major surface protein of the bacterial endosymbiont *Wolbachia*  
538 *pipientis*. *J Bacteriol* **180**:2373-2378.

539 Bryant, D., and V. Moulton. 2004. Neighbor-net: an agglomerative method for the  
540 construction of phylogenetic networks. *Mol Biol Evol* **21**:255-265.

541 Castresana, J. 2000. Selection of conserved blocks from multiple alignments for their use in  
542 phylogenetic analysis. *Mol Biol Evol* **17**:540-552.

543 Chafee, M. E., D. J. Funk, R. G. Harrison, and S. R. Bordenstein. 2010. Lateral phage transfer  
544 in obligate intracellular bacteria (*Wolbachia*): verification from natural populations.  
545 *Mol Biol Evol* **27**:501-505.

546 Charlat, S., A. Duplouy, E. A. Hornett, E. A. Dyson, N. Davies, G. K. Roderick, N. Wedell,  
547 and G. D. Hurst. 2009. The joint evolutionary histories of *Wolbachia* and  
548 mitochondria in *Hypolimnas bolina*. *BMC Evol Biol* **9**:64.

549 Charlat, S., J. Engelstadter, E. A. Dyson, E. A. Hornett, A. Duplouy, P. Tortosa, N. Davies, G.  
550 K. Roderick, N. Wedell, and G. D. Hurst. 2006. Competing selfish genetic elements in  
551 the butterfly *Hypolimnas bolina*. *Curr Biol* **16**:2453-2458.

552 Cordaux, R. 2008. ISWpi1 from *Wolbachia pipientis* defines a novel group of insertion  
553 sequences within the IS5 family. *Gene* **409**:20-27.

554 Cornel, A. J., R. D. McAbee, J. Rasgon, M. A. Stanich, T. W. Scott, and M. Coetzee. 2003.  
555 Differences in extent of genetic introgression between sympatric *Culex pipiens* and  
556 *Culex quinquefasciatus* (Diptera: Culicidae) in California and South Africa. *J Med*  
557 *Entomol* **40**:36-51.

558 Dedeine, F., F. Vavre, D. D. Shoemaker, and M. Bouletreau. 2004. Intra-individual  
559 coexistence of a *Wolbachia* strain required for host oogenesis with two strains  
560 inducing cytoplasmic incompatibility in the wasp *Asobara tabida*. *Evolution* **58**:2167-  
561 2174.

562 Duplouy, A., G. D. Hurst, S. L. O'Neill, and S. Charlat. 2010. Rapid spread of male-killing  
563 *Wolbachia* in the butterfly *Hypolimnas bolina*. *J Evol Biol* **23**:231-235.



564 Duron, O., C. Bernard, S. Unal, A. Berthomieu, C. Berticat, and M. Weill. 2006. Tracking  
565 factors modulating cytoplasmic incompatibilities in the mosquito *Culex pipiens*. *Mol*  
566 *Ecol* **15**:3061-3071.

567 Duron, O., D. Bouchon, S. Boutin, L. Bellamy, L. Zhou, J. Engelstadter, and G. D. Hurst.  
568 2008. The diversity of reproductive parasites among arthropods: *Wolbachia* do not  
569 walk alone. *BMC Biology* **6**:27.

570 Duron, O., A. Boureux, P. Echaubard, A. Berthomieu, C. Berticat, P. Fort, and M. Weill.  
571 2007. Variability and expression of ankyrin domain genes in *Wolbachia* variants  
572 infecting the mosquito *Culex pipiens*. *J Bacteriol* **189**:4442-4448.

573 Duron, O., P. Fort, and M. Weill. 2006. Hypervariable prophage WO sequences describe an  
574 unexpected high number of *Wolbachia* variants in the mosquito *Culex pipiens*. *Proc*  
575 *Biol Sci* **273**:495-502.

576 Duron, O., J. Lagnel, M. Raymond, K. Bourtzis, P. Fort, and M. Weill. 2005. Transposable  
577 element polymorphism of *Wolbachia* in the mosquito *Culex pipiens*: evidence of  
578 genetic diversity, superinfection and recombination. *Mol Ecol* **14**:1561-1573.

579 Duron, O., M. Raymond, and M. Weill. In press. Many compatible *Wolbachia* strains coexist  
580 within natural populations of *Culex pipiens* mosquito. *Heredity*.

581 Echaubard, P., O. Duron, P. Agnew, C. Sidobre, V. Noel, M. Weill, and Y. Michalakis. 2010.  
582 Rapid evolution of *Wolbachia* density in insecticide resistant *Culex pipiens*. *Heredity*  
583 **104**:15-19.

584 Engelstadter, J., and G. D. D. Hurst. 2009. The ecology and evolution of microbes that  
585 manipulate host reproduction. *Annl Rev Ecol Evol Syst* **40**:127-149.

586 Fitch, W. M. 1997. Networks and viral evolution. *J Mol Evol* **44 Suppl 1**:S65-75.

587 Fonseca, D. M., N. Keyghobadi, C. A. Malcolm, C. Mehmet, F. Schaffner, M. Mogi, R. C.  
588 Fleischer, and R. C. Wilkerson. 2004. Emerging vectors in the *Culex pipiens* complex.  
589 Science **303**:1535-1538.

590 Fonseca, D. M., J. L. Smith, R. C. Wilkerson, and R. C. Fleischer. 2006. Pathways of  
591 expansion and multiple introductions illustrated by large genetic differentiation among  
592 worldwide populations of the southern house mosquito. Am J Trop Med Hyg **74**:284-  
593 289.

594 Gavotte, L., H. Henri, R. Stouthamer, D. Charif, S. Charlat, M. Bouletreau, and F. Vavre.  
595 2007. A Survey of the bacteriophage WO in the endosymbiotic bacteria *Wolbachia*.  
596 Mol Biol Evol **24**:427-435.

597 Guillemaud, T., N. Pasteur, and F. Rousset. 1997. Contrasting levels of variability between  
598 cytoplasmic genomes and incompatibility types in the mosquito *Culex pipiens*. Proc  
599 Biol Sci **264**:245-251.

600 Haine, E. R. 2008. Symbiont-mediated protection. Proc R Soc B: Biol Sci **275**:353-361.

601 Hedrick, P. W. 1987. Gametic disequilibrium measures: proceed with caution. Genetics  
602 **117**:331-341.

603 Hertig, M., and S. B. Wolbach. 1924. Studies on *Rickettsia*-like micro-organisms in insects. J  
604 Med Res **44**:329-374 327.

605 Hilgenboecker, K., P. Hammerstein, P. Schlattmann, A. Telschow, and J. H. Werren. 2008.  
606 How many species are infected with *Wolbachia*?--A statistical analysis of current data.  
607 FEMS Microbiol Lett **281**:215-220.

608 Ho, S.Y.W., M.J. Phillips, A. Cooper and A.J. Drummond. 2005. Time dependency of  
609 molecular rate estimates and systematic overestimation of recent divergence times.  
610 Mol Biol Evol **22**: 1561-1568.

611 Hochberg, Y. 1988. A sharper Bonferroni procedure for multiple tests of significance.  
612 *Biometrika* **75**:800-802.

613 Hurst, G. D. D., and F. M. Jiggins. 2005. Problems with mitochondrial DNA as a marker in  
614 population, phylogeographic and phylogenetic studies: the effects of inherited  
615 symbionts. *Proc Biol Sci* **272**:1525-1534.

616 Huson, D. H., and D. Bryant. 2006. Application of phylogenetic networks in evolutionary  
617 studies. *Mol Biol Evol* **23**:254-267.

618 Irving-Bell, R. J. 1983. Cytoplasmic incompatibility within and between *Culex molestus* and  
619 *Cx. quinquefasciatus* (Diptera: Culicidae). *J. Med. Entomol.* **20**:44-48.

620 Jiggins, F. M. 2003. Male-killing *Wolbachia* and mitochondrial DNA: selective sweeps,  
621 hybrid introgression and parasite population dynamics. *Genetics* **164**:5-12.

622 Jiggins, F. M., J. H. von Der Schulenburg, G. D. Hurst, and M. E. Majerus. 2001.  
623 Recombination confounds interpretations of *Wolbachia* evolution. *Proc Biol Sci*  
624 **268**:1423-1427.

625 Keller, G. P., D. M. Windsor, J. M. Saucedo, and J. H. Werren. 2004. Reproductive effects  
626 and geographical distributions of two *Wolbachia* strains infecting the Neotropical  
627 beetle, *Chelymorpha alternans* Boh. (Chrysomelidae, Cassidinae). *Mol Ecol* **13**:2405-  
628 2420.

629 Kittayapong, P., K. J. Baisley, V. Baimai, and S. L. O'Neill. 2000. Distribution and diversity  
630 of *Wolbachia* infections in Southeast Asian mosquitoes (Diptera: Culicidae). *J Med*  
631 *Entomol* **37**:340-345.

632 Klasson, L., T. Walker, M. Sebahia, M. J. Sanders, M. A. Quail, A. Lord, S. Sanders, J. Earl,  
633 S. L. O'Neill, N. Thomson, S. P. Sinkins, and J. Parkhill. 2008. Genome evolution of  
634 *Wolbachia* strain *wPip* from the *Culex pipiens* group. *Mol Biol Evol* **25**:1877-1887.

635 Klasson, L., J. Westberg, P. Sapountzis, K. Naslund, Y. Lutnaes, A.C. Darby, Z. Veneti, L.  
636 Chen, H.R. Braig, R. Garrett, K. Bourtzis and S.G. Andersson. 2009. The mosaic  
637 genome structure of the *Wolbachia* wRi strain infecting *Drosophila simulans*. Proc  
638 Natl Acad Sci USA **106**: 5725-5730.

639 Krzywinski, J., O. G. Grushko, and N. J. Besansky. 1997. Analysis of the complete  
640 mitochondrial DNA from *Anopheles funestus*: An improved dipteran mitochondrial  
641 genome annotation and a temporal dimension of mosquito evolution. Mol Phyl Evol  
642 **39**:417-423.

643 Laven, H. 1958. Speciation by cytoplasmic isolation in the *Culex pipiens* complex. Cold  
644 Spring Harbor Symposia in Quantitative Biology **24**:166-173.

645 Laven, H. 1967. Speciation and evolution in *Culex pipiens* in J. Wright, and R. Pal, eds.  
646 Genetics of Insect Vectors of Disease. Elsevier, Amsterdam.

647 Lewontin, R. C. 1964. The interaction of selection and linkage. I. General considerations,  
648 heterotic models. Genetics **49**: 49–67.

649 Librado, P., and J. Rozas. 2009. DnaSP v5: A software for comprehensive analysis of DNA  
650 polymorphism data. Bioinformatics **25**:1451-1452.

651 Lo, N., C. Paraskevopoulos, K. Bourtzis, S. L. O'Neill, J. H. Werren, S. R. Bordenstein, and  
652 C. Bandi. 2007. Taxonomic status of the intracellular bacterium *Wolbachia pipientis*.  
653 Int J Syst Evol Microbiol **57**:654-657.

654 Marshall, J. F., and J. Staley. 1937. Some notes regarding the morphological and biological  
655 differentiation of *Culex pipiens* Linnaeus and *Culex molestus* Forskal (Diptera,  
656 Culicidae). Entomol Soc London **12**:17-27.

657 Mercot, H., and S. Charlat. 2004. *Wolbachia* infections in *Drosophila melanogaster* and *D.*  
658 *simulans*: polymorphism and levels of cytoplasmic incompatibility. Genetica **120**:51-  
659 59.

660 Mitchell, S. E., A. F. Cockburn, and J. A. Seawright. 1993. The mitochondrial genome of  
661 *Anopheles quadrimaculatus* species A: complete nucleotide sequence and gene  
662 organization. *Genome* **36**:1058-1073.

663 Moran, N. A., J. P. McCutcheon, and A. Nakabachi. 2008. Genomics and evolution of  
664 heritable bacterial symbionts. *Ann Rev Genet* **42**:165-190.

665 Narang, S., and J. A. Seawright. 1982. Linkage relationships and genetic mapping in *Culex*  
666 and *Anopheles*. Pp. 231-272 in W. W. M. Steiner, W. J. Tabachnick, K. S. Rai, and S.  
667 Narang, eds. Recent developments in the genetics of insect disease vectors. Stipes  
668 Publishing Company, Champaign.

669 Narita, S., M. Nomura, Y. Kato, and T. Fukatsu. 2006. Genetic structure of sibling butterfly  
670 species affected by *Wolbachia* infection sweep: evolutionary and biogeographical  
671 implications. *Mol Ecol* **15**:1095-1108.

672 O'Neill, S. L., R. Giordano, A. M. Colbert, T. L. Karr, and H. M. Robertson. 1992. 16S rRNA  
673 phylogenetic analysis of the bacterial endosymbionts associated with cytoplasmic  
674 incompatibility in insects. *Proc Natl Acad Sci USA* **89**:2699-2702.

675 O'Neill, S. L., and H. E. Paterson. 1992. Crossing type variability associated with cytoplasmic  
676 incompatibility in Australian populations of the mosquito *Culex quinquefasciatus* Say.  
677 *Med Vet Entomol* **6**:209-216.

678 Posada, D., and K. A. Crandall. 1998. MODELTEST: testing the model of DNA substitution.  
679 *Bioinformatics* **14**:817-818.

680 Rasgon, J. L., A. J. Cornel, and T. W. Scott. 2006. Evolutionary history of a mosquito  
681 endosymbiont revealed through mitochondrial hitchhiking. *Proc Biol Sci* **273**:1603-  
682 1611.

683 Rasgon, J. L., and T. W. Scott. 2004. An initial survey for *Wolbachia* (Rickettsiales:  
684 Rickettsiaceae) infections in selected California mosquitoes (Diptera: Culicidae). *J*  
685 *Med Entomol* **41**:255-257.

686 Raychoudhury, R., L. Baldo, D. C. Oliveira, and J. H. Werren. 2009. Modes of acquisition of  
687 *Wolbachia*: horizontal transfer, hybrid introgression, and codivergence in the *Nasonia*  
688 species complex. *Evolution* **63**:165-183.

689 Raymond, M., A. Callaghan, P. Fort, and N. Pasteur. 1991. Worldwide migration of amplified  
690 insecticide resistance genes in mosquitoes. *Nature* **350**:151-153.

691 Raymond, M., and F. Rousset. 1995. Genepop (version 1.2), a population genetics software  
692 for exact tests and ecumenicism. *J Hered* **86**:248-249.

693 Reidenbach, K. R., S. Cook, M. A. Bertone, R. E. Harbach, B. M. Wiegmann, and N. J.  
694 Besansky. 2009. Phylogenetic analysis and temporal diversification of mosquitoes  
695 (Diptera: Culicidae) based on nuclear genes and morphology. *BMC Evol Biol* **9**:298.

696 Ricci, I., G. Cancrini, S. Gabrielli, S. D'Amelio, and G. Favi. 2002. Searching for *Wolbachia*  
697 (Rickettsiales: Rickettsiaceae) in mosquitoes (Diptera: Culicidae): large polymerase  
698 chain reaction survey and new identifications. *J Med Entomol* **39**:562-567.

699 Rich, S. M., M. C. Licht, R. R. Hudson, and F. J. Ayala. 1998. Malaria's Eve: evidence of a  
700 recent population bottleneck throughout the world populations of *Plasmodium*  
701 *falciparum*. *Proc Natl Acad Sci U S A* **95**:4425-4430.

702 Riegler, M., M. Sidhu, W. J. Miller, and S. L. O'Neill. 2005. Evidence for a global *Wolbachia*  
703 replacement in *Drosophila melanogaster*. *Curr Biol* **15**:1428-1433.

704 Rogers, S. O., and A. J. Bendich. 1988. Extraction of DNA from plant tissues. Pp. 1-10 in S.  
705 B. Gelvin, and R. A. Schilperoort, eds. *Plant Molecular Biology Manuel*. Kluwer  
706 Academic Publishers, Boston.

707 Ronquist, F., and J. P. Huelsenbeck. 2003. MrBayes 3: Bayesian phylogenetic inference under  
708 mixed models. *Bioinformatics* **19**:1572-1574.

709 Ros, V. I., V. M. Fleming, E. J. Feil, and J. A. Breeuwer. 2009. How diverse is the genus  
710 *Wolbachia*? Multiple-gene sequencing reveals a putatively new *Wolbachia* supergroup  
711 recovered from spider mites (Acari: Tetranychidae). *Appl Environ Microbiol* **75**:1036-  
712 1043.

713 Roubaud, E. 1941. Phénomènes d'amixie dans les intercroisements de Culicides du groupe  
714 *pipiens*. *C R Acad Sci* **212**:257-259.

715 Rousset, F., and M. Solignac. 1995. Evolution of single and double *Wolbachia* symbioses  
716 during speciation in the *Drosophila simulans* complex. *Proc Natl Acad Sci U S A*  
717 **92**:6389-6393.

718 Rozeboom, L. E. 1958. Hybridization of *Culex pipiens fatigans* Wiedemann from the  
719 Philippine Islands with American strains of *Culex pipiens* group (Diptera: culicidae).  
720 *Amer J Trop Med Hyg* **7**:526-530.

721 Salzberg, S. L., D. Puiu, D. D. Sommer, V. Nene, and N. H. Lee. 2009. The genome sequence  
722 of *Wolbachia* endosymbiont of *Culex quinquefasciatus* JHB. *J Bacteriol* **191**:1725.

723 Sawyer, S. A. 1989. Statistical tests for detecting gene conversion. *Mol Biol Evol* **6**:526-538.

724 Sawyer, S. A. 1999. GENECONV: A computer package for the statistical detection of gene  
725 conversion. Pp. Distributed by the author, Department of Mathematics, Washington  
726 University in St. Louis, available at <http://www.math.wustl.edu/~sawy>.

727 Sinkins, S. P., T. Walker, A. R. Lynd, A. R. Steven, B. L. Makepeace, H. C. Godfray, and J.  
728 Parkhill. 2005. *Wolbachia* variability and host effects on crossing type in *Culex*  
729 mosquitoes. *Nature* **436**:257-260.

730 Tamura, K., J. Dudley, M. Nei, and S. Kumar. 2007. MEGA4: Molecular evolutionary  
731 genetics analysis (MEGA) software version 4.0. *Mol Biol Evol* **24**:1596-1599.

732 Thompson, J. D., T. J. Gibson, and D. G. Higgins. 2002. Multiple sequence alignment using  
733 ClustalW and ClustalX. *Curr Protoc Bioinformatics* **Chapter 2**:Unit 2 3.

734 Vavre, F., F. Fleury, D. Lepetit, P. Fouillet, and M. Bouletreau. 1999. Phylogenetic evidence  
735 for horizontal transmission of *Wolbachia* in host-parasitoid associations. *Mol Biol*  
736 *Evol* **16**:1711-1723.

737 Venkatesan, M., C.J. Westbrook, M.C. Hauer, and J.L. Rasgon. 2007. Evidence for a  
738 population expansion in the West Nile Virus vector *Culex tarsalis*. *Mol Biol Evol* **24**:  
739 1208-1218.

740 Walker, T., L. Klasson, M. Sebahia, M. J. Sanders, N. R. Thomson, J. Parkhill, and S. P.  
741 Sinkins. 2007. Ankyrin repeat domain-encoding genes in the *wPip* strain of *Wolbachia*  
742 from the *Culex pipiens* group. *BMC Biol* **5**:39.

743 Weeks, A. R., M. Turelli, W. R. Harcombe, K. T. Reynolds, and A. A. Hoffmann. 2007. From  
744 parasite to mutualist: rapid evolution of *Wolbachia* in natural populations of  
745 *Drosophila*. *PLoS Biol* **5**:e114.

746 Werren, J. H., L. Baldo, and M. E. Clark. 2008. *Wolbachia*: master manipulators of  
747 invertebrate biology. *Nature Rev Microbiol* **6**:741-751.

748 Wu, M., L. V. Sun, J. Vamathevan, M. Riegler, R. Deboy, J. C. Brownlie, E. A. McGraw, W.  
749 Martin, C. Esser, N. Ahmadinejad, C. Wiegand, R. Madupu, M. J. Beanan, L. M.  
750 Brinkac, S. C. Daugherty, A. S. Durkin, J. F. Kolonay, W. C. Nelson, Y. Mohamoud,  
751 P. Lee, K. Berry, M. B. Young, T. Utterback, J. Weidman, W. C. Nierman, I. T.  
752 Paulsen, K. E. Nelson, H. Tettelin, S. L. O'Neill, and J. A. Eisen. 2004.  
753 Phylogenomics of the reproductive parasite *Wolbachia pipientis wMel*: a streamlined  
754 genome overrun by mobile genetic elements. *PLoS Biol* **2**:E69.

755 Yen, J. H., and A. R. Barr. 1971. New hypothesis of the cause of cytoplasmic incompatibility  
756 in *Culex pipiens* L. *Nature* **232**:657-658.



Mosquito line	Abbreviation	<i>Wolbachia</i> strain	<i>Culex pipiens</i> subspecies	Origin	Year of collection	Reference
Pel	Pel	wPip(Pel)	<i>quinquefasciatus</i>	Sri Lanka	1984	(Klasson et al. 2008)
JHB	JHB	wPip(JHB)	<i>quinquefasciatus</i>	South Africa	2001	(Salzberg et al. 2009)
Manille-A	Ma-A	wPip(Ma-A)	<i>quinquefasciatus</i>	Philippines	2003	(Duron et al. 2006)
Manille-B	Ma-B	wPip(Ma-B)	<i>quinquefasciatus</i>	Philippines	2003	(Duron et al. 2006)
Kara-C	Ka-C	wPip(Ka-C)	<i>quinquefasciatus</i>	China	2003	(Duron, Fort, and Weill 2006)
MaClo	Mc	wPip(Mc)	<i>quinquefasciatus</i>	California	1984	(Duron et al. 2005)
Slab	Sl	wPip(Sl)	<i>quinquefasciatus</i>	California	1950	(Duron et al. 2005)
Cotonou-A	Cot-A	wPip(Cot-A)	<i>quinquefasciatus</i>	Benin	2005	This study
Cotonou-B	Cot-B	wPip(Cot-B)	<i>quinquefasciatus</i>	Benin	2005	This study
Australie	Au	wPip(Au)	hybrid ( <i>quinquefasciatus/pipiens</i> )	Australia	2004	(Duron, Fort, and Weill 2006)
El Palmar-A	Ep-A	wPip(Ep-A)	<i>pipiens</i>	Spain	2005	(Duron et al. 2007)
El Palmar-B	Ep-B	wPip(Ep-B)	<i>pipiens</i>	Spain	2005	(Duron et al. 2007)
LaVar	Lv	wPip(Lv)	<i>pipiens</i>	France	2003	(Duron et al. 2005)
Bifa-A	Bf-A	wPip(Bf-A)	<i>pipiens</i>	France	2002	(Duron et al. 2006)
Bifa-B	Bf-B	wPip(Bf-B)	<i>pipiens</i>	France	2002	(Duron et al. 2006)
Kol	Ko	wPip(Ko)	<i>pipiens</i>	Crete	2002	(Duron, Fort, and Weill 2006)
Keo-A	Ke-A	wPip(Ke-A)	<i>pipiens</i>	Cyprus	2003	(Duron et al. 2006)
Keo-B	Ke-B	wPip(Ke-B)	<i>pipiens</i>	Cyprus	2003	(Duron et al. 2006)
Tunis	Tn	wPip(Tn)	<i>pipiens</i>	Tunisia	1992	(Duron et al. 2005)
Istanbul	Is	wPip(Is)	<i>pipiens</i>	Turkey	2003	(Duron et al. 2005)

759 **Table 1.** Description of *Culex pipiens* lines and wPip strains.

Strain	Gene							Haplotype
	<i>MutL</i>	<i>ank2</i>	<i>pk1</i>	<i>pk2</i>	<i>GP12</i>	<i>GP15</i>	<i>RepA</i>	
w Pip(Pel)	a	a	a	a	a	a	a	A
w Pip(Cot-A)	a	a	a	a	a	a	a	
w Pip(Cot-B)	a	a	a	a	a	a	a	
w Pip(Ko)	a	a	a	a	a	a	a	
w Pip(Tn)	a	a	a	a	a	a	a	
w Pip(Ma-B)	a	a	a	a	a	a	a	
w Pip(JHB)	a	a	a	a	a	-	a	B
w Pip(Ep-A)	a	a	a	d	a	a	a	C
w Pip(Ep-B)	a	a	a	d	a	a	a	
w Pip(Bf-A)	a	a	a	a	a	a	b	D
w Pip(Lv)	b	e	c	a	b	b	a	E
w Pip(Au)	d	e	c	a	b	f	a	F
w Pip(Ke-A)	c	e	c	a	d	e	a	G
w Pip(Ke-B)	c	e	c	a	e	e	a	H
w Pip(Sl)	e	b	b	b	b	c	b	I
w Pip(Bf-B)	e	b	b	c	b	c	b	J
w Pip(Mc)	b	b	b	b	b	c	b	K
w Pip(Is)	c	c	d	a	c	d	a	L
w Pip(Ka-C)	f	d	e	a	f	g	a	M
w Pip(Ma-A)	f	d	e	a	g	g	a	N

760

761

762 **Table 2.** Allelic profiles of the seven polymorphic wPip genes in 20 wPip strains. Letters A to

763 N represent the 14 wPip haplotypes. Dash indicates a gene deletion.

Taxon (subfamily, species)	$\pi$ (no of sequences)				<i>Wolbachia</i> infection (reference)
	<i>cytb</i>	<i>ND4</i>	<i>COI</i>	<i>COII</i>	
Culicinae					
<i>Culex pipiens</i>	0.0021 (19)	0.0004 (14)	0.0000 (24)	0.0007 (8)	yes (Hertig and Wolbach 1924)
<i>Cx. tarsalis</i>	–	0.0116 (64)	–	–	no (Rasgon and Scott 2004)
<i>Culex</i> sp.	–	0.0090 (10)	–	–	no (Rasgon, Cornel, and Scott 2006)
<i>Aedes aegypti</i>	0.0094 (16)	0.0202 (46)	–	–	no (Kittayapong et al. 2000)
<i>Ae. albopictus</i>	0.0043 (14)	–	0.0039 (23)	–	yes (O'Neill et al. 1992)
<i>Ae. caspius</i>	–	–	0.0094 (7)	0.0063 (21)	no (Ricci et al. 2002)
<i>Ae. vexans</i>	–	–	0.0185 (7)	0.0084 (7)	no (Kittayapong et al. 2000; Ricci et al. 2002)
Anophelinae					
<i>Anopheles aconitus</i>	–	–	0.0053 (13)	0.0066 (35)	no (Kittayapong et al. 2000)
<i>An. funestus</i>	0.0066 (11)	–	–	–	no (Ricci et al. 2002)
<i>An. gambiae</i>	–	–	0.0053 (48)	–	no (Ricci et al. 2002)
<i>An. maculipennis</i>	–	–	0.0063 (62)	–	no (Ricci et al. 2002)

766 **Table 3.** Nucleotide diversity ( $\pi$ ) of mitochondrial genes in eleven mosquito species (Culicidae).

767 **Figure legends**

768 **Figure1.** Map of the *wPip*(Pel) genome showing the position of the thirteen genes examined.  
769 Number in brackets (1 to 4) indicates identical copies of a given gene located in different  
770 positions along the chromosome. Black boxes indicate the locations of prophage regions; the  
771 MLST and *wsp* genes are reported in grey.

772

773 **Figure 2.** Phylogenic tree of *wPip* strains obtained from concatenated data set (*MutL*, *ank2*,  
774 *pk1*, *pk2*, *GP12*, *GP15* and *RepA* sequences) by Bayesian analysis. Posterior probabilities  
775 obtained are shown at major nodes. The scale bar is in units of substitutions/site.

776

777 **Figure 3.** Network analysis obtained from concatenated data set (*MutL*, *ank2*, *pk1*, *pk2*,  
778 *GP12*, *GP15* and *RepA* sequences) using the Neighbor-net method. Each edge (or a set of  
779 parallel edges) corresponds to a split in the data set and has length equal to the weight of the  
780 split. Incompatible splits, produced by recombination are represented by boxes in the  
781 network. Only bootstrap values for major grouping are indicated. The five *wPip* groups  
782 (highlighted) are connected by multiple pathways resulting from recombination between  
783 *Wolbachia* genomes.

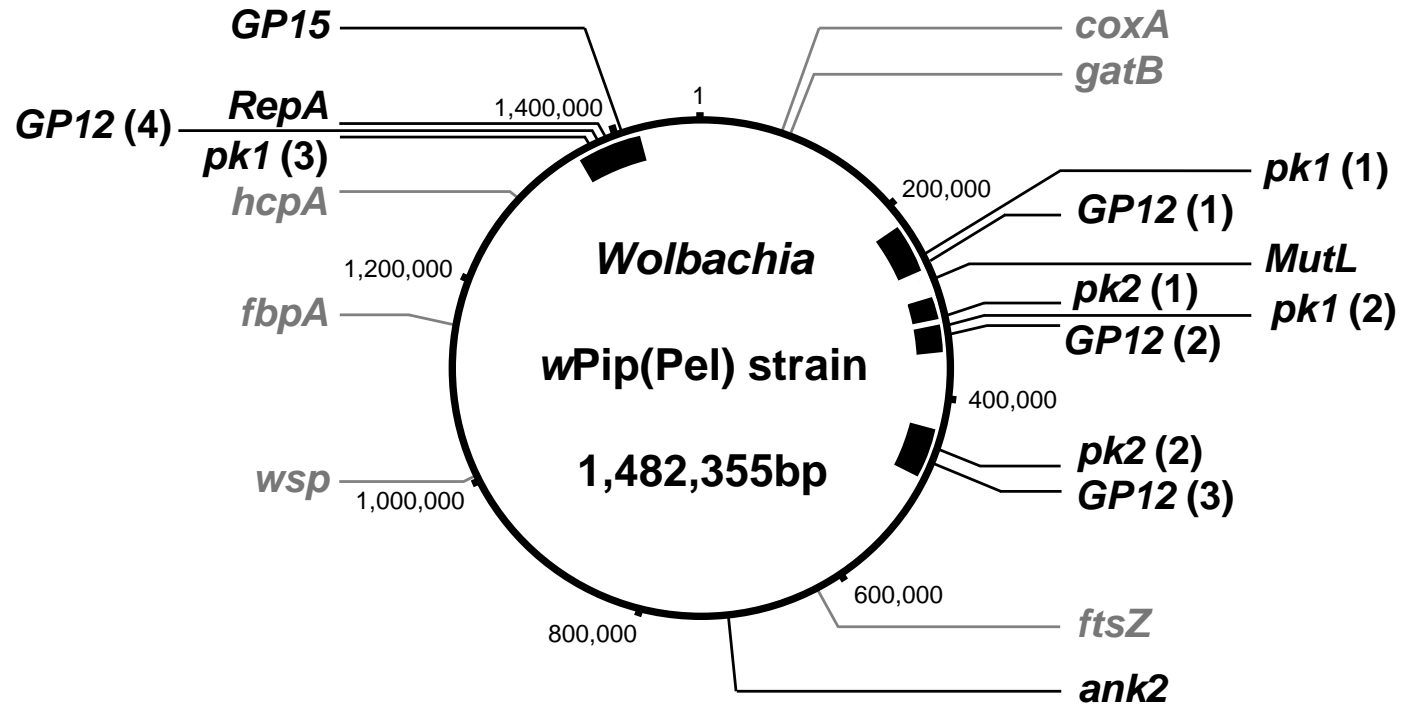
784

785 **Figure 4.** Distribution of *wPip* haplotypes and *wPip* groups in *Culex pipiens* populations.  
786 Letters and symbols represent the *wPip* haplotypes and *wPip* groups, respectively. \* *wPip*  
787 haplotypes recently described by Atyame et al. (Atyame et al. in press).

788

789 **Figure 5.** Comparisons between phylogeny of *Culex pipiens* mitochondria and phylogeny of  
790 the *wPip* strains. **A**, Mitochondrial phylogeny constructed using Bayesian inferences based on  
791 *ND2*, *ND5* and *cytb* concatenated sequences. Names on branches indicate the mtDNA  
792 haplotypes (*piI* to *piXIV*). **B**, *wPip* phylogeny obtained from concatenated data set (*MutL*,  
793 *ank2*, *pk1*, *pk2*, *GP12*, *GP15* and *RepA* sequences). The five *wPip* groups are reported. The  
794 scale bar is in units of substitutions/site.

795

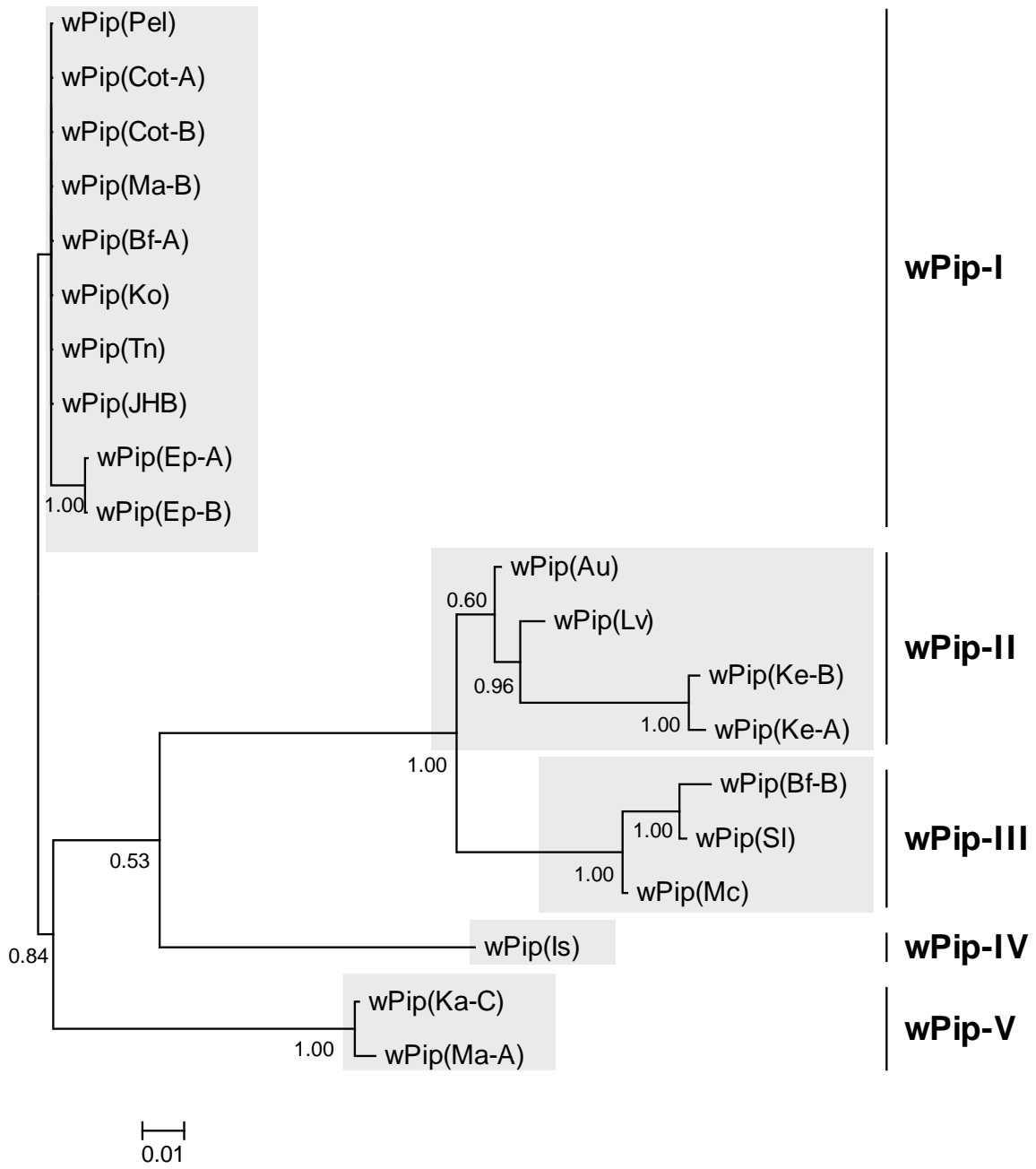


796

797

798

Figure 1

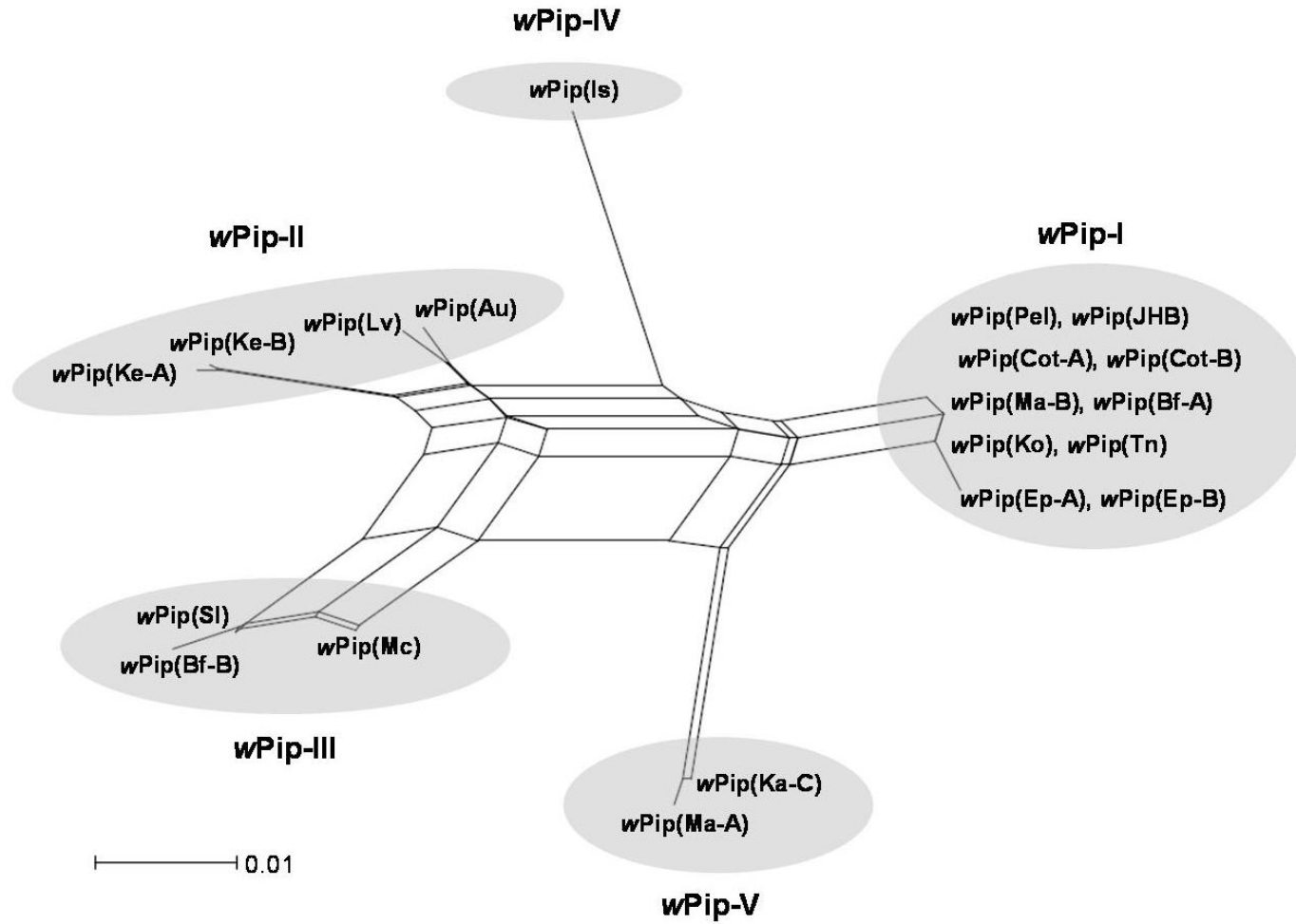


800

801

802

Figure 2



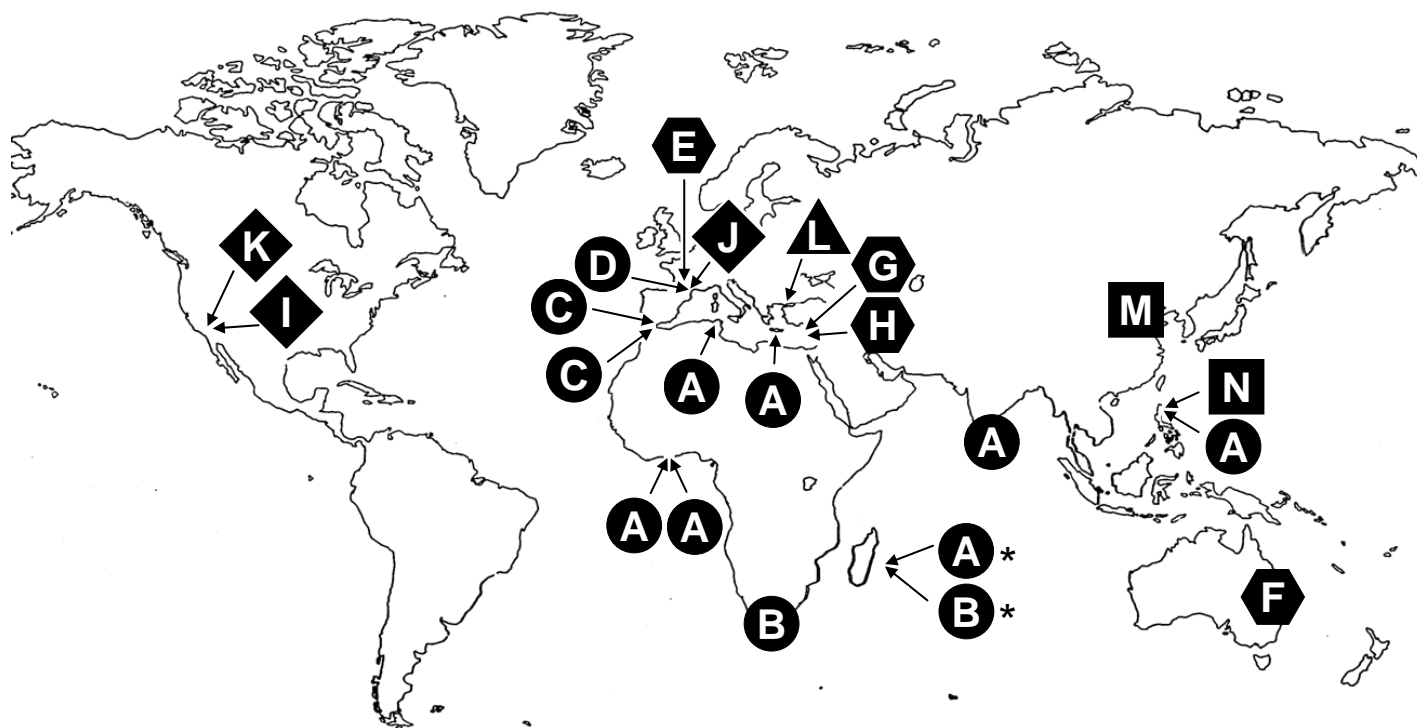
803

804

**Figure 3**



805



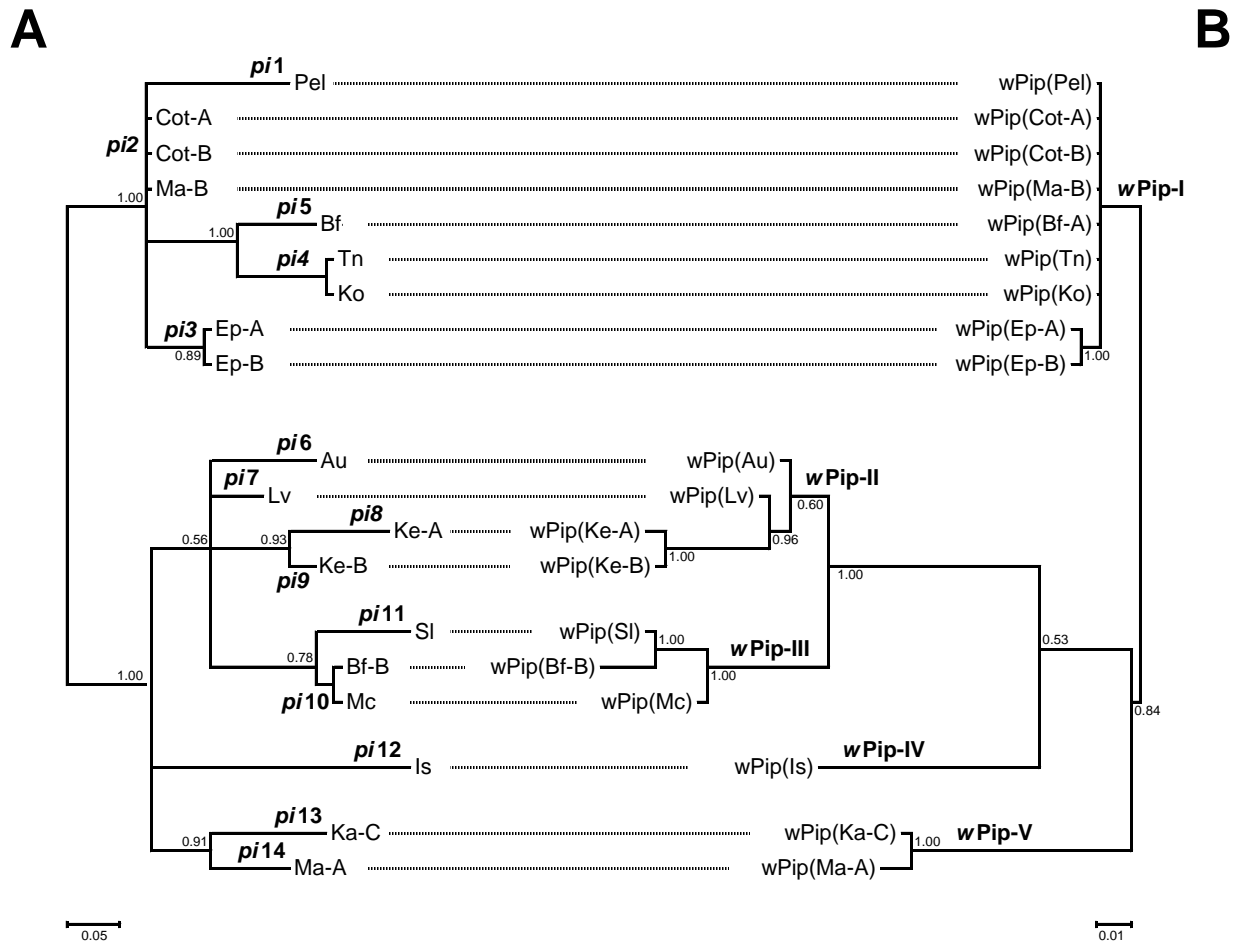
806



807

Figure 4

808



809

810

Figure 5